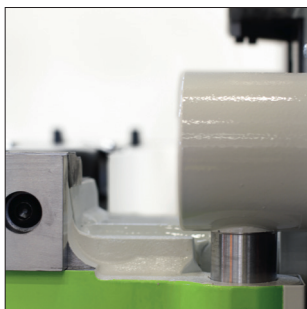




With CIDAN **K15** you can quickly and easily create the parts and profiles you need for your work. Just program the control system and then run. The compact folding beam moves quickly and you consistently stand near the machine without having to take a step back. First row stop fingers in spring steel provides unbeatable small gauging measure and eliminate risks for marks in the material, which is common by machines that have cut-outs in the rail. Folding rails with quick change tooling system ensures fast changes and you get three widths to choose from as standard. When you buy a CIDAN K15, you get a folding machine that is easy to program, fast to run and, of course, gives a really good folding result. Job satisfaction, pure and simple!

- Crowning adjustment as standard always gives perfect folding result
- Two folding beam rails with width 7/10 mm (0.28"/0.39") and 20 mm (0.79") as standard
- Fast, reliable and user-friendly
- Choose between two control systems, EasyLink or ProLink X, both with plenty of features
- Multiple back gauge stops for both small and large parts across the bending length of the machine



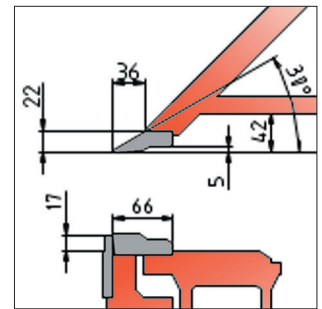
Generous space around the tools for increased flexibility.



Quick change of tooling (bayonet style) and adjustable crowning.



Compact folding beam, only 280 mm (11"), grants easy and ergonomic work at the machine.



K15 with plenty of space behind the straight rail.

STANDARD RAILS

Straight rail 30°, double sided folding beam rail 7/10 mm (.275"/.394"), folding beam rail 20 mm (.787")

Model	Folding length	Folding capacity			Opening height	Outer dimensions****	Weight	Motor	
		Steel* mm (ga)	Stainless steel** mm (ga)	Aluminium*** mm (")				Clamping beam mm (")	Length x depth x height mm (")
K15-25	2550 (100)	1.75 (15)	1.10 (19)	2.60 (0.102)	115 (4.5)	3530 x 1595 x 1590 (139x63x63)	2055 (4.521)	0.75 (1)	1.1 (1.5)
K15-30	3100 (122)	1.50 (16)	0.90 (20)	2.20 (0.090)	115 (4.5)	4030 x 1595 x 1590 (159x63x63)	2370 (5.241)	0.75 (1)	1.1 (1.5)

Tensile strength *at 400 N/mm²-58000 lbf/in² (psi) – **at 600 N/mm²-87000 lbf/in² (psi) – ***at 200 N/mm²-29000 lbf/in² (psi) – ****With motorized back gauge EGS